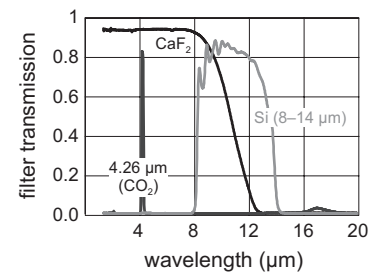
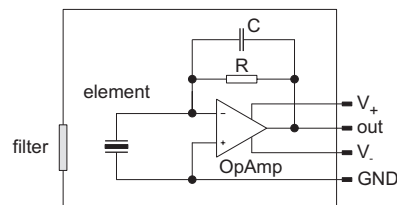
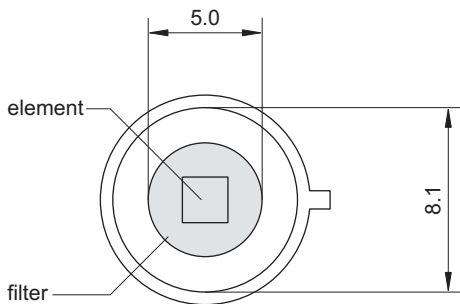
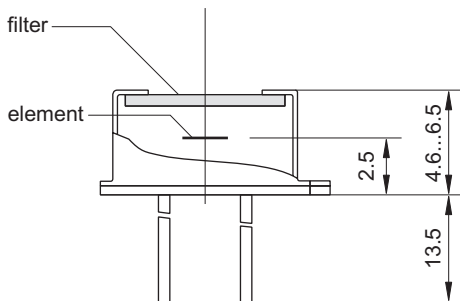
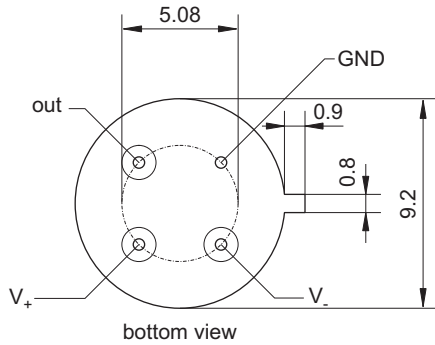


# LTSI Q2I10

## Pyroelectric Single Element Detector for Measurement Applications



element size	2 mm × 2 mm
aperture	5.0 mm
filter <sup>3</sup>	custom-designed
responsivity <sup>1,2</sup>	>80000 V/W
noise <sup>1</sup>	<22000 nV/ $\sqrt{\text{Hz}}$
specific detectivity <sup>1,2</sup>	>9.5 · 10 <sup>8</sup> cm $\sqrt{\text{Hz}} / \text{W}$
offset voltage	<5 mV
operating voltage	±2.2 V to ±8 V
housing	TO 39
operating temperature	-20 to 70 °C
storage temperature	-20 to 70 °C

- 1) frequency: 10 Hz, detector temperature: 25 °C
- 2) black body source temperature: 500 K, filter transmission: 100 %
- 3) other filters on request

